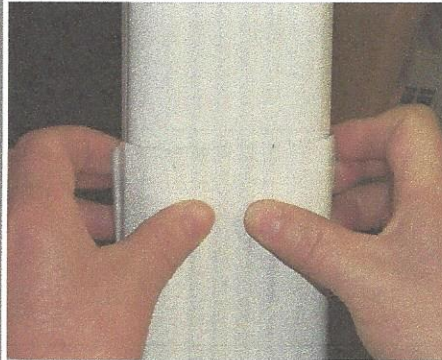


ODE TRAP- DOOR STRAINER

NEW!Positive Lock Door

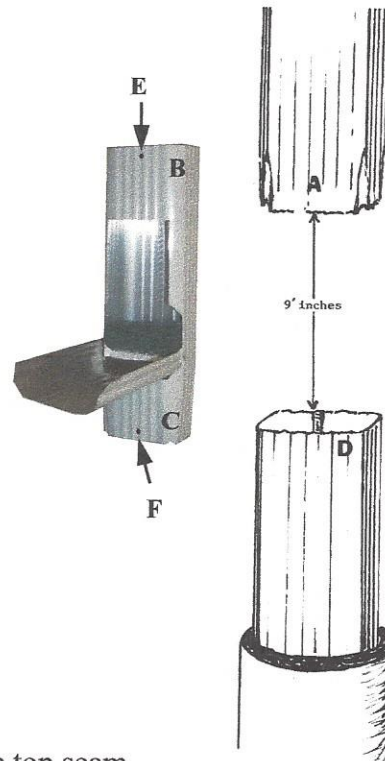


The secret to opening the door:

Place your index fingers on the upper corners of the door and gently pull forward while pushing lightly with your thumbs.

HOW TO INSTALL

1. Cut out 9 inches of your present downspout (See picture)
2. Insert the bottom of the TRAP-DOOR STRAINER (C), into the downspout below the 9 inch cut (D).
3. Pull the downspout, above the 9 inch cut, away from the wall and insert it (A) into the top of the TRAP-DOOR STRAINER (B).
4. At (E) and (F) drill a 1/8 inch hole, secure with either a sheet metal screw or pop rivet.
5. The filter serves **ONLY** to stop the noise of dripping water.



Optional: Place a downspout strap over the top seam.

HOW TO CRIMP DOWNSPOUT (A). (WITHOUT A \$30.00 CRIMPING TOOL)

1. Place a pair of needle nose pliers in the corner of the downspout, hold firmly and twist back and forth creating a male end to the downspout.
2. Repeat in the other three corners.



TOOLS REQUIRED:

1. Hacksaw (32 teeth / in. best)
2. Hammer
3. Drill with 1/8 in. bit
4. Screw driver (two small screws)
5. Needle nose pliers